

VL-Series

CNC Vertical Lathe Machines



Manufacturing high quality machine tools since 1958

VL-12



VL-25



Machine Features

- Both the VL -12 and VL-25 incorporate a pair of extra large columns, each with two precision ground Box Ways, all to support an Adjustable X-Axis Cross Rail.
- The Adjustable X-Axis Cross Rail is made of heavy duty cast iron and incorporates precision ground Box Ways, which support the Z-Axis Ram with exceptional rigidity.
- Cross Rail adjusts up and down in precise 100 mm (3.93 inches) increments with a total vertical traverse of 1000 mm (39.4 inches) for the VL-12 and 1,500 mm (59.0 inches) for the VL-25.
- Adjustable X-Axis Cross Rail allows for minimal extension of the Z-Axis Ram allowing the operator to “choke up” to the work piece for maximum rigidity.
- The Z-axis linear scale produces closed loop feedback control for long term accuracy.
- The automatic tool changer holds 8 interchangeable tools.
- A pendant controller with counter balance weights provides convenient and comfortable operation.

Standard Accessories

- 4 jaw manual chuck
- Work light
- Splash guard
- Crossrail slideway cover
- Crossrail elevation pointing device
- FANUC 0iTC CNC controller
- Service Tools
- X, Z-axes linear scale
- Bolts and leveling pads for installation
- Coolant circulation system
- 1” and 1.25” tools shank



CNC Vertical Lathes



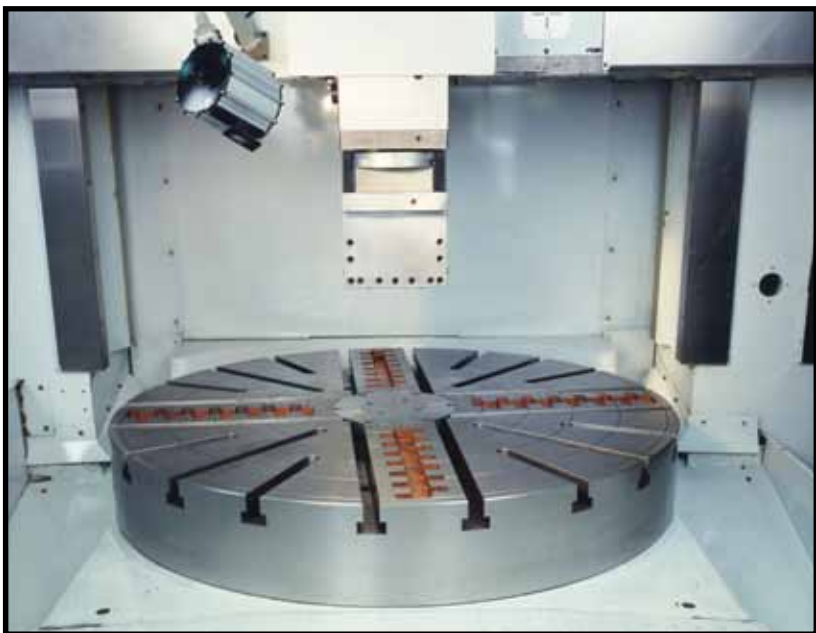
Automatic Tool Changer

The automatic tool changer employs the CT-50 tooling system, consisting of 8 tool holders. Tool selection is bi-directional and by shortest route.



CNC Controller

The pendant controller is movable for convenience of operation. It is equipped with a movable MPG for easy setups on the machine. A FANUC 0iTC controller is standard.

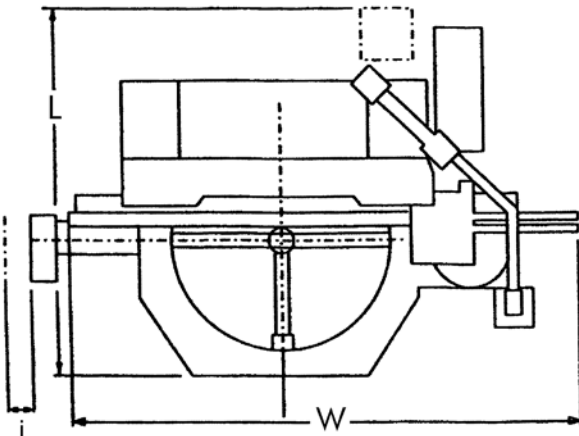


Table

The table is manufactured from high tensile Meehanite cast iron. The parts clamp plates are manufactured from ductile iron. The table runs on crossed roller bearings, preloaded to resist heavy duty cutting loads in any direction.

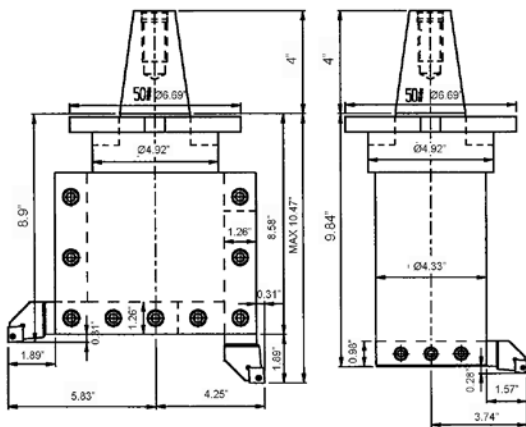
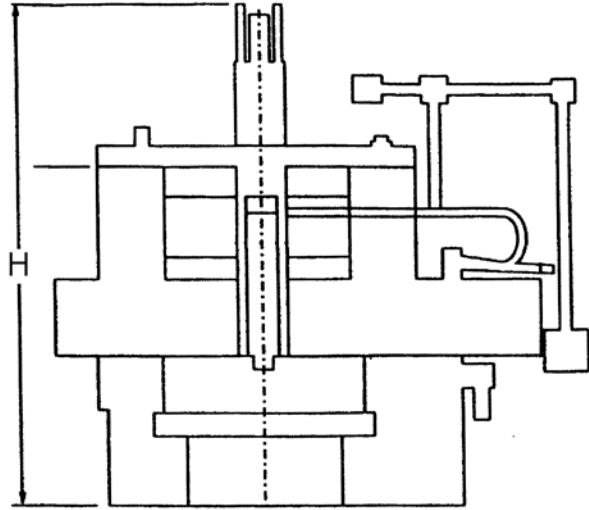
Machine Layouts

Model	Height	Length	Width	Model	Height	Length	Width
VL-12	205.51"	146.85"	207.87"	VL-25	248.03"	180.71"	246.06"

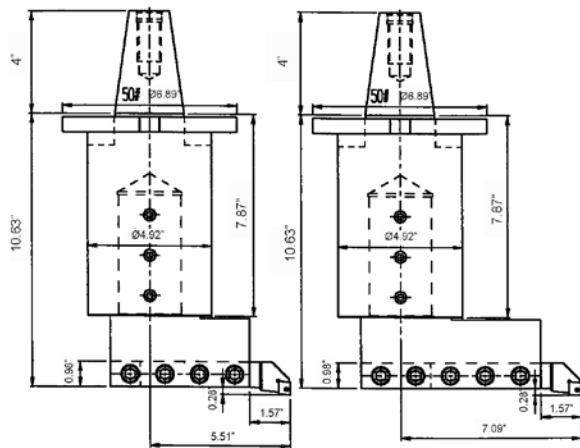


*working area

VL Series Top & Front View



ISO #50 Taper VL Series Tooling System





VL-12



VL-25

Specifications

Travel

Max. Swing Diameter	62.99" (1600mm)	118.11" (3000mm)
Max. Turning Height	43.31" (1100mm)	70.87" (1800mm)
Max. Loading Capacity	10000 lbs. (5 tons)	40000 lbs. (20 tons)
Max. Torque	10,845 ft. lbs.	18,076 ft. lbs.

Table

Diameter	49.21" (1250mm)	98.43"/106.3" (2500/2700mm)
Speed	2.8-280 rpm stepless	1.6-160 rpm stepless
Max. Load	10,000 lbs. (5 tons)	40,000 lbs. (20 tons)

RAM

X-Axis Horizontal Traverse	51.18" (1300mm)	82.68 (2100mm)
Z-Axis Horizontal Traverse	41.73" (1060mm)	41.73" (1060mm)
X-Axis Rapid Traverse Rate	393.7" (10mm/min)	315" (8m/min)
Z-Axis Rapid Traverse Rate	393.7" (10mm/min)	315" (8m/min)
Ram Dimensions	8.66"x8.66" (220mm x 220mm)	8.66"x8.66" (220mm x 220mm)

Cross Rail

Vertical Traverse	39.37" (1000mm)	59" (1499mm)
Elevation Speed	15.75" (400mm/min)	15.75" (400mm/min)

Automatic Tool Changer (ATC)

Turning Tool	1" / 1.25"	1" / 1.25"
Max. Number of Tool Holders	8	8

Motor

Table	49.6/60.3 HP (AC 37/45 kw)	49.6/60.3 HP (AC 37 kw)
Cross Rail Elevation	4.9 HP (AC 3.7 kw)	7.5 HP (AC 5.5 kw)
Hydraulic Power	4.9 HP (AC 3.7 kw)	4.9 HP (AC 3.7 kw)
Table Lubrication	.37 HP (AC 3.7 kw)	.37 HP (AC 3.7 kw)
Slideway Lubrication	.13 HP (AC .1 kw)	.13 HP (AC .1 kw)

Machine Weight

Machine	39,690 lbs.	66,150 lbs.
---------	-------------	-------------

Machine Weight/Dimensions

L x W	146.85" x 207.87" (3730mm x 5280mm)	180.71" x 246.06" (4590mm x 6250mm)
Machine Height	205.51" (5220mm)	248.03" (6300mm)

Power Requirements

	220v., 3ph, 60 cycle, 120 amp	220v., 3ph, 60 cycle, 200 amp
--	-------------------------------	-------------------------------



U.S. Headquarters

FEMCO

7142 Belgrave Ave.
Garden Grove, CA 92841
Tel:(714)898-2066 Fax:(714)891-2813
info@femcousa.com

U.S. Branch

FEMCO of Texas

5829 W. Sam Houston Pkwy. N.
Suite #805
Houston, TX 77041
Tel:(713)937-7771 Fax:(713)937-1239
texas@femcousa.com

Service & Parts

Our large Service and Parts staff provide outstanding support to its distributors and customers.

FEMCO Service Engineers come equipped to get your machine up and running as soon as possible. FEMCO USA has a large well stocked parts department.

Applications

Our highly qualified Applications experts offer the following services:

- Personnel Instruction
- Training Services
- Applications Consulting
- Turnkey and Part Processing Services



Visit our web site to locate a dealer near you. www.femcousa.com